



H A Harman International Company

D 3700/D 3700 S

Tripower Dynamic Microphone

Description

The AKG Model D 3700 is a rugged dynamic hypercardioid microphone intended for on-stage instrumental and vocal pickup. Its hypercardioid pattern is uniform with frequency, and response has been boosted at mid and high frequencies for crisp instrumental pickup and improved speech intelligibility. The microphone capsule is shock mounted with an easily removable wire mesh grille. The smooth triangular shape of the microphone is easier to hold than normal circular cross-section designs and is stable when the microphone is placed on a surface. The light-weight body is die cast zinc alloy and has a dark matte finish for minimum reflection and glare. The D 3700 S shall have a recessed, noiseless on-off switch.

Specifications

Transducer type:	Dynamic pressure gradient
Frequency response:	50-20 kHz (20 Hz-18 kHz at 1/2")
Polar pattern:	Hypercardioid
Impedance:	600 ohms
Recommended load impedance:	>2000 ohms
Output connector:	XLR-M
Sensitivity:	2.5 mV/Pa; -52 dB (re 1 V/Pa)
Sound pressure level for 1% (3%) THD:	147 dB SPL (156 dB SPL)
Environmental operation:	
Temperature:	14° F to 140° F (-10°C to + 60°C)
Maximum relative humidity at +20°C:	90%
Size:	Maximum diameter: 1.8 in. (46 mm) 7.5 in. length (190 mm)
Net weight:	8.5 oz. (240 g)
Shipping weight:	1.4 lb. (640 g)
Accessories included:	SA 41/1 Stand adapter



Features

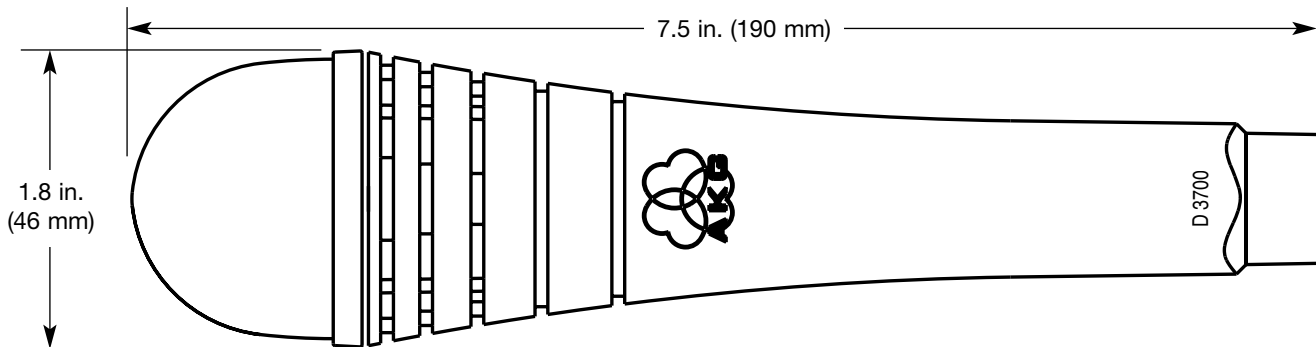
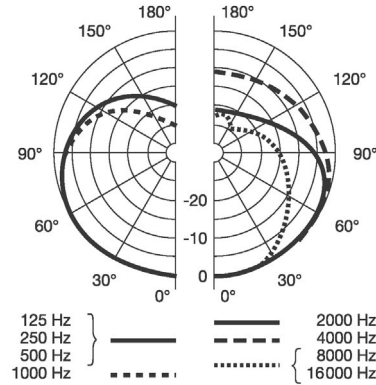
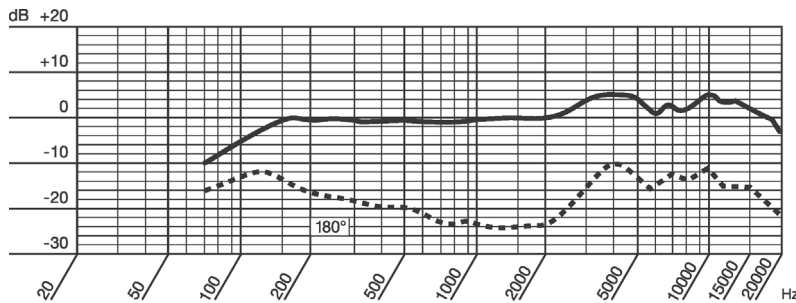
- Response tailored for instrumental and vocal on-stage performance
- Accurate hypercardioid pattern for added immunity to feedback
- High sensitivity (2.5 mV/Pa) resulting from use of high-energy neodymium-iron-boron magnet
- Light-weight die cast metal body with dark matte finish
- Replaceable grille assembly

Architects and Engineers Specifications

The microphone shall be a dynamic type with a hypercardioid pickup pattern. Sensitivity shall be no less than 2.5 mV/Pa, and the maximum operating level for 3% THD shall be no less than 156 dB SPL. The maximum diameter of the microphone shall be no greater than 1.81 inches, and the microphone length shall be no greater

than 7.5 inches. The D3700 microphone shall include a recessed, noiseless on-off switch. Microphone net weight shall be no greater than 8.5 ounces.. The microphone shall be the AKG Acoustics Model D 3700.

Graphical Data



AKG is constantly improving and modifying its products, therefore, specifications are subject to change without notice.

Limited Warranty

Valid only in the United States. AKG Acoustics warrants AKG products against defects in material or workmanship for a period of two years from the date of original purchase for use, and agrees to repair or, at our option, replace any defective unit without charge for either parts or labor. Important: This warranty does not cover damage resulting from accident, misuse or abuse, lack of reasonable care, the affixing of any attachment not provided with the product, loss of parts or connecting the product to any but the specified receptacles. This warranty is void unless service or repairs are performed by an authorized service center. No responsibility is assumed for any special, incidental

or consequential damages. However, the limitation of any right or remedy shall not be effective where such is prohibited or restricted by law. Simply take or ship your AKG product prepaid to our service department. Be sure to include your sales slip as proof of purchase date. (We will not repair transit damage under the no-charge terms of this warranty.) Note: No other warranty, written or oral is authorized by AKG Acoustics, Inc. This warranty gives you specific legal rights, and you may also have other rights which vary from state to state. Some states do not allow the exclusion or limitation of incidental or consequential damages or limitation on how long an implied warranty lasts, so the above exclusions and limitation may not apply to you.

Microphones · Headphones · Wireless Microphones · Wireless Headphones · Headsets · Electroacoustical Components



H A Harman International Company

AKG Acoustics GmbH
Lemböckgasse 21-25, P.O.B. 158, A-1230
Vienna/AUSTRIA
Tel: (43 1) 86 654-0*, Fax: (43 1) 86 654-516
Internet: <http://www.akg.com>

AKG Acoustics; A Division of Harman Pro Germany
Bodenseestraße 228, D-81243 München/GERMANY
Tel: (089) 87 16-0, Fax: (089) 87 16-200

Arbiter Pro Audio
Wilberforce Road, London NW9 6AX/ENGLAND
Tel: (0181) 202 1199, Fax: (0181) 202 7076

AKG ACOUSTICS, U.S.
914 Airpark Center Drive
Nashville, TN 37217, U.S.A.
Tel: (615) 620-3800, Fax: (615) 620-3875

Studer Japan Ltd.
2-43-7, Uehara, Shibuya-ku, Tokyo 151-0064/JAPAN
Tel: (813) 3465-2211, Fax: (813) 3465-2214

Erikson Pro Audio
620 McCaffrey, St-Laurent, Quebec, H4T 1N1, CANADA
Tel: (514) 738-3000, Fax: (514) 737-5069
Internet: www.jam-ind.com/eriksonpro